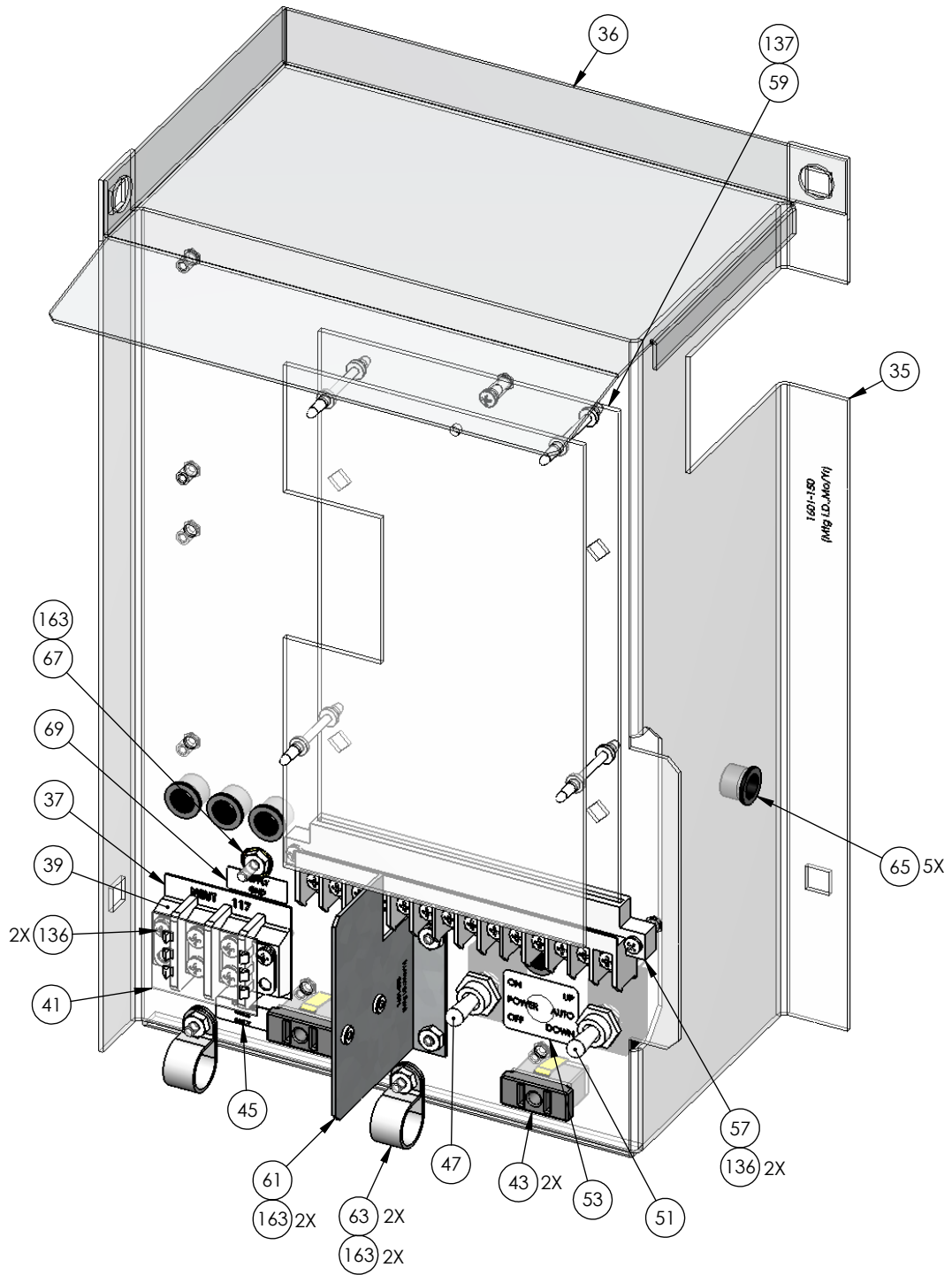


DETAIL B  
SCALE 2 : 5



Item	Part Number	Qty	UM	Description	Rev
1	1602-880	1	EA	IBP-Model 1602-080, 1HP 115V Parking Gate Operator	N
3	1602-100	1	EA	Housing	
5	1602-015	1	EA	Mount Plate Gear Box 1602	
6	1602-123	1	EA	Gearbox 1602	
7	1602-115	1	EA	Mount Plate 1602 Top Plate	
8	1602-048	1	EA	Pulley Dual 8"OD 3/4"ID	
9	1601-019	1	EA	Keyway 3/16 x 3/16 x 1	
10	2616-094	1	EA	Set Screw 5/16-18 x 1/4 Zinc Pt	
15	1601-222	1	EA	Shaft Assembly 1601 Splined	
16	2600-061	3	EA	Collar 2"OD x 1 1/4"ID x 5/8"L	
17	2616-096	3	EA	Set Screw 3/8-16 x 3/8	
18	1601-032	2	EA	Bearing 1 1/2OD x 1 1/4ID x 5/8L	
19	1601-016	1	EA	Mount Plate Magnet	
20	1601-044	2	EA	Holder - Magnet	
21	2600-817	2	EA	Magnet	
22	1601-017	1	EA	Collar "Sandwich" Plate	
23	2620-131	4	EA	Washer 1 7/8"OD x 1/2"ID 1/8 T	
24	1601-185	4	EA	Washer Race .515"ID x.875"OD CH	
25	1601-060	4	EA	Bearing-Sealed 1/2ID x 1 1/8OD	
26	1602-029	1	EA	Connecting Rod 1602	
27	1601-139	2	EA	Bearing Blk Die Cast 1601	
29	2600-882	2	EA	Hole Plug Plastic 2.25" Hole	
33	2600-198	2	EA	Spacer 3/4 OD x 1/2 ID x 15/16 L	
35	1601-150	1	EA	Mount Plate - PC Board Bottom	
36	1601-152	1	EA	Mount Plate - PC Board Top	
37	2600-410	1	EA	Marker Strip Silkscn Both Side	
39	2600-414	1	EA	Terminal Block-2 Position	
41	3129-002	1	EA	Terminal Block Cover 2 Position	
43	1200-028	2	EA	Outlet Snap-In Leviton 1306	
45	2599-014	1	EA	Decal Copper Wire Only	
47	1601-040	1	EA	Switch Toggle ON-OFF-ON MOMEN	
51	1601-140	1	EA	Switch Toggle 2 Pole On-Off	
53	2599-012	1	EA	Decal 1601 Switch	
57	1601-007	1	EA	Terminal 14 Pin	
59	1601-010	1	EA	PCB Parking Gate	
61	1601-055	1	EA	Divider - High/Low Voltage	
63	2600-619	2	EA	Wire Clp-5/8" Concord 770-1209	
65	2600-820	5	EA	Bushing 1/2	
67	2600-439	1	EA	Washer Cup - Brass	
69	2599-006	1	EA	Decal SUPPLY GND	
81	2600-837	1	EA	Motor Base 1 HP	
83	2601-163	1	EA	Motor Assembly 1HP Dual Pulley (DK Motor)	
89	1602-071	2	EA	Belt - 31" AX31	
93	2600-639	4	EA	Wire Clamp-1"	
95	4001-018	6	FT	Weather Stripping (50' rolls)	
97	1602-075	1	EA	Door	
98	2600-732	1	EA	Nameplate Plastic DKS	
99	2802-040	2	EA	Washer Push on Clamp	
100	2599-008	1	EA	Label Patent	
101	4001-035	1	EA	Lock N16058BD x SF x 2K Key 16120	
102	1702-503	1	EA	Cam 1.1/4	
105	2599-035	1	EA	Label 1601 Warning	
106	2599-199	1	EA	Label Universal	
110	1601-008	1	EA	Wire Set 1601/1602	
112	1804-031	6	EA	Tie Wrap 4"	

113	2600-749	2	EA	Wire Connector STA-KON RC6
117	1602-003	24	EA	Plate Counter Weight 1602
119	1602-041	1	EA	Accessory Box 1602 Operator
120	2615-055	8	EA	Bolt Hex Head 3/8-16 x 1 1/2
121	2615-058	4	EA	Bolt Hex Head 3/8-16 x 8"
122	2615-669	16	EA	Bolt Carriage SS 3/8-16 x 1 1/4
123	2615-673	4	EA	Bolt Carriage SS 3/8-16 x 2 1/4 Painted
124	2615-184	2	EA	Bolt Hex Head 1/2-13 x 2 1/4 GR8
127	2615-667	4	EA	Bolt Carriage SS 3/8-16 x 3/4 Painted
128	2615-671	2	EA	Bolt Carriage SS 3/8-16 x 1 1/2
129	2615-662	8	EA	Bolt Carriage SS 5/16-18 x 5/8 Painted
130	2615-645	10	EA	Bolt Carriage SS 10-32 x 5/8 Painted
135	2616-006	6	EA	Screw Phillips Head 6-32 x 3/16
136	2616-003	4	EA	Screw Phillips Head 6-32 x 3/4
137	2616-002	1	EA	Screw Phillips Head 6-32 x 1/2
140	2620-021	16	EA	Washer 1/2 " SAE
141	2802-003	2	EA	Washer #8 SAE
142	2620-029	2	EA	Washer 3/8" USS
150	2620-047	36	EA	Lockwasher 3/8"
160	2620-405	26	EA	Nut Hex 3/8-16
161	2620-440	2	EA	Nut Hex 1/2-13 GR8
162	2620-401	2	EA	Nut Hex 8-32
163	2902-004	9	EA	Nut Nylon Lock 8-32
166	2620-411	9	EA	Nut Hex Flange Lock 5/16-18
167	2902-006	10	EA	Nut Nylon Lock 10-32