

**Linear**   **OSCO**  
**OPERATORS**

# VARIABLE SPEED SWING GATE OPERATORS

## Model VS-GSWG

### VS-GSWG VARIABLE SPEED INDUSTRIAL

- For large/heavy swing gates
- Continuous-duty industrial motor, 1/2, 1, or 2 HP
- Linear drive arm — for positive security
- Full variable speed
- Soft start/soft stop capability
- All voltages, single or three-phase
- Powder coat finish
- Post mount standard; pad mount optional



All Models ETL Listed;  
UL325 Compliant



Supporters and Proud Members of



## ELECTRICAL

- Variable speed — soft start/stop programmable through variable frequency drive
- 1/2, 1, or 2 HP industrial, continuous-duty, three-phase, 56-frame motors
- Delay on reverse
- Master/slave capability built in
- Easily convertible righthand/left-hand
- Solid-state control circuit
- Power on/off switch
- Duplex receptacle on 115 VAC units
- Three-button control station
- AC and DC power available for access control accessories and reversing devices
- Easily adjustable rotary limit switches

## VS-GSWG SERIES SWING GATE OPERATOR SPECIFICATIONS

Model	HP	Voltage-Single Phase (Voltage-Three Phase)	Drive Type	Maximum Gate Length	Maximum Gate Weight	Gate Speed	Shipping Weight
VS-GSWG-2	1/2	115/230 V (208/230/460 V)	linear	20'	1000 lbs	18-22"/sec	295 lbs
VS-GSWG-1	1	115/230 V (208/230/460 V)	linear	32'	1200 lbs	18-22"/sec	295 lbs
VS-GSWG-7	2	115/230 V (208/230/460 V)	linear	36'	1500 lbs	18-22"/sec	300 lbs



**1 Direct C-Face Motor to Gear Box Drive** for smooth and dependable power transmission

**2 Solid-State Control Circuitry**

- UL325/UL991 compliant control board
- Programmable variable speed controller for smooth gate operation

**3 Rotary Limit Box**

**4 Heavy-Duty Components**

Adjustable torque limiter and heavy-duty pillow block bearings for smooth, reliable, quiet power transmission

**5 Weather-Resistant Cabinet**

- Galvannealed steel cabinet with powder coat finish
- Lockable, gasketed, hinged, and removable front cover

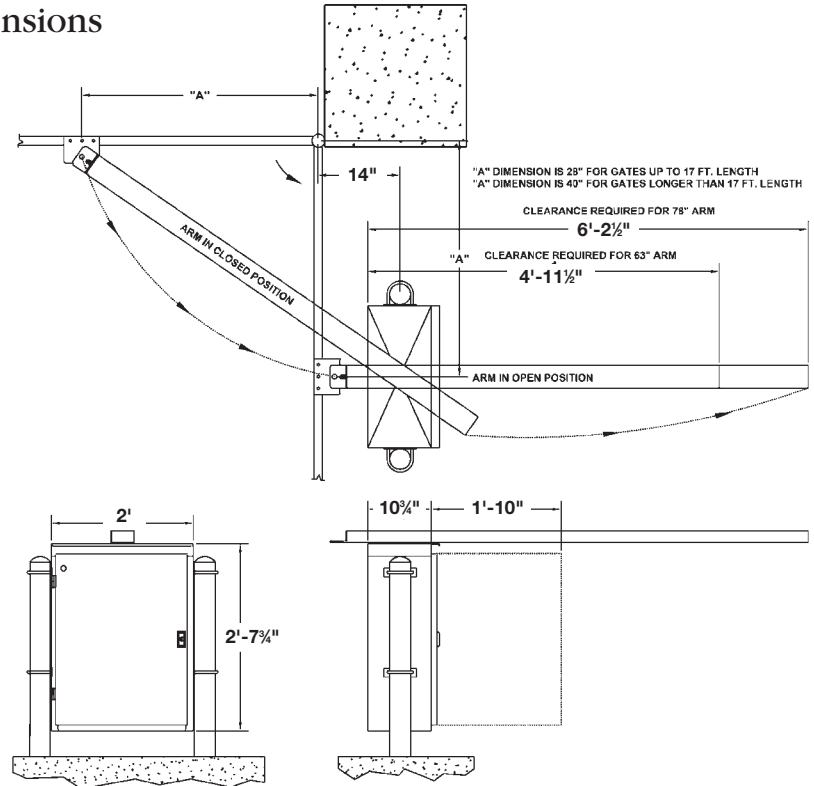
**6 Standard Convenience Features**

- Exterior stop/reset button
- Power on/off switch
- 3-button station

## MECHANICAL

- Heavy-duty 60:1 right-angle C-face gear reducer
- Adjustable torque limiter
- Exclusive linear drive arm
- Heavy-duty pillow-block bearings

## Dimensions



## CAUTIONS



- Automatic gates not for pedestrians
- Automatic gate operators designed for vehicular traffic only; operators are powerful and can cause serious injury or death; DIRECT ALL PEDESTRIAN TRAFFIC TO SEPARATE PEDESTRIAN GATE
- UL325 requires use of contact or non-contact anti-entrapment devices
- ASTM F2200 requires that all exposed rollers are covered

**Linear**  **OSCO**  
**OPERATORS**

**LINEAR**  
(800) 421-1587 • [www.linearcorp.com](http://www.linearcorp.com)

**OSCO, a subsidiary of Linear**  
(800) 333-1717 • [www.operatorspecialty.com](http://www.operatorspecialty.com)