

Linear OSCO[®] OPERATORS

SW Series

COMMON FEATURES

- Crank style
- Black or tan polyethylene covers
- Pad mount standard; post mount optional
- Exterior reset button
- UL325/UL991 compliant 24 VDC control board

SWC COMMERCIAL

- 1/2 or 1 HP continuous-duty PSC motor
- 115 VAC or 230 VAC single phase

SWD COMMERCIAL/RESIDENTIAL

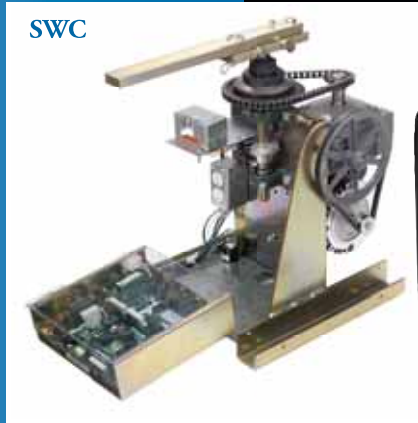
- DC-powered battery back-up with seamless transition
- Full-time 1/2 HP DC motor
- Selectable fail-safe or fail-secure modes of operation
- Solar power capable

SWR RESIDENTIAL

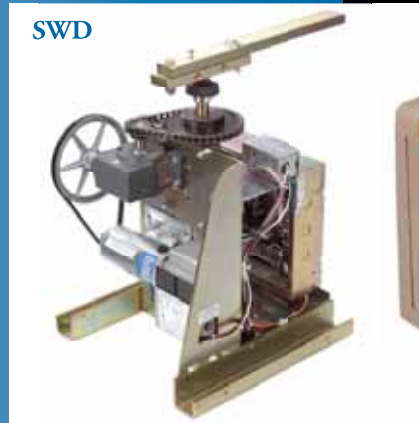
- 1/2 HP PSC motor
- 115 VAC or 230 VAC single phase

SWING GATE OPERATORS

SWC



SWD



SWR



All Models ETL Listed;
UL325 Compliant



Supporters and Proud Members of



ELECTRICAL

- Integral entrapment sensing system with dual multi-turn precision potentiometers for accurate adjustment and enhanced safety
- Continuous tone entrapment alarm with reset button
- Integrated warning beeper during gate movement
- 15 diagnostic LEDs on board for ease of setup and troubleshooting
- Selectable pre-start alarm with provision for ADA compliant visual pre-start and run alarm
- AC and DC power available for access control accessories
- Integrated maximum run and auto close timer (0-124 seconds)
- Built-in master/slave capability using 3-wire shielded cable

MECHANICAL

- Heavy-duty, zinc-plated, steel chassis
- Right-angle gear reducer
- 1" diameter output shaft
- Optional adjustable torque limiter
- Heavy-duty pillow block bearings
- Universal pad mount standard; optional post mount kit

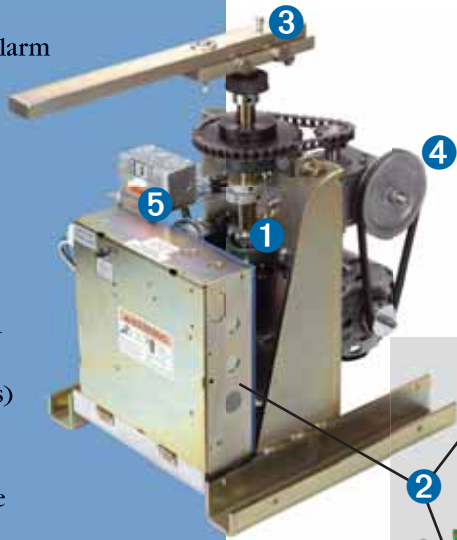
CAUTIONS



- Automatic gates not for pedestrians
- Automatic gate operators designed for vehicular traffic only; operators are powerful and can cause serious injury or death; **DIRECT ALL PEDESTRIAN TRAFFIC TO SEPARATE PEDESTRIAN GATE**
- UL325 requires use of contact or non-contact anti-entrapment devices
- ASTM F2200 requires that all exposed rollers are covered

SW SERIES SWING GATE OPERATOR SPECIFICATIONS

Model	HP	Voltage (Single Phase)	Drive Type	Maximum Gate Length	Maximum Gate Weight	Seconds to Open	Maximum Cycles	
SWC	SWC-2	1/2	115 or 230 V	crank	17'	600 lbs	11-14	continuous duty
	SWC-1	1	115 or 230 V	crank	19'	1000 lbs	11-14	continuous duty
SWD	SWD-211	1/2	115 V/24 VDC solar optional	crank	18'	700 lbs	11-14	30/hour
SWR	SWR-211	1/2	115 V	crank	15'	500 lbs	11-14	150/day
	SWR-221	1/2	230 V	crank	15'	500 lbs	11-14	150/day



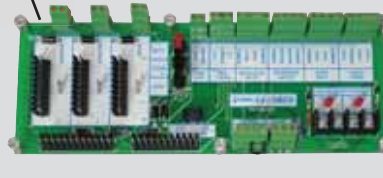
1 Cam Operated Limits

Easily accessible through access door

2 Solid-State Control Circuitry

- UL325/UL991 compliant 24 VDC control board
- Full featured for access control, security, and entrapment protection

- Optional connections module provides plug-in loop detector capability, European-style plug-in connectors, and easy-to-read labeling



3 Steel Crank

- Easily removable
- Integrated manual disconnect

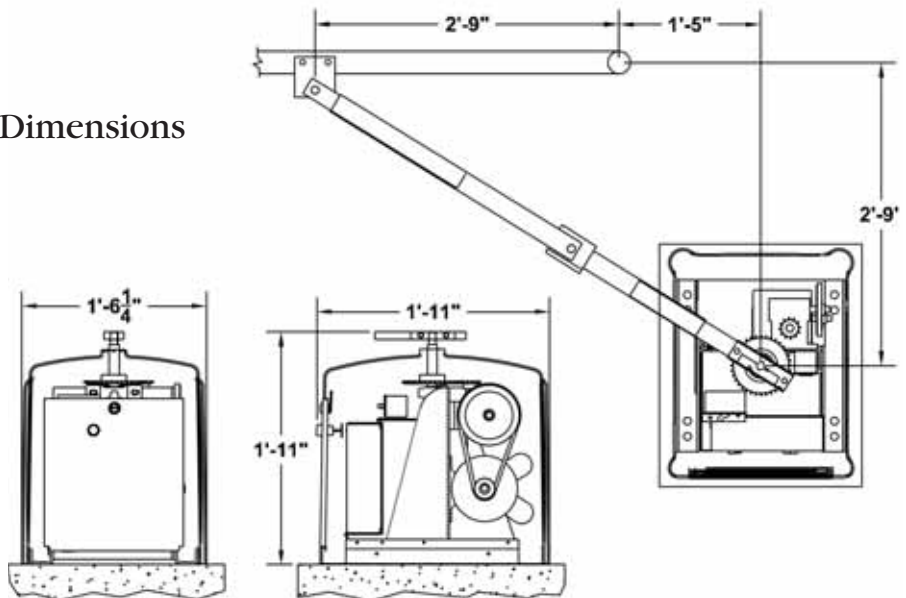
4 Heavy-Duty Components

Gear reducer and pillow block bearing for smooth, reliable, quiet power transmission

5 Standard Convenience Features

- Exterior reset button
- Power on/off button
- Accessory power outlet on 115 V machines
- 3-button station

Dimensions



Linear  **OSCO**
OPERATORS

LINEAR
(800) 421-1587 • www.linearcorp.com

OSCO, a subsidiary of Linear
(800) 333-1717 • www.operatorspecialty.com