

# DESIGN GUIDE FOR THE HORIZON SYSTEM

# INTRODUCTION

The purpose of this guide is to assist you in meeting any specification requirements you may encounter in installing a Horizon system. The information enclosed in this manual is to be used for reference purposes only and is not intended to be an installation or programming manual.

## TABLE OF CONTENTS

<u>SECTION NAME</u>	<u>PAGE</u>
1. Cabinet Dimensions	3
2. Wire Chart	3
3. Dimensional Drawing of the Horizon "H" Surface Mount System	4
4. Dimensional Drawing of the Horizon "H" Flush Mount System	5
5. Dimensional Drawing for the Horizon "M" System	6
6. Illustration of the Main Processor Board	7

**IMPORTANT:** The Sentex Systems, Inc. warranty on this system is conditioned upon Sentex Systems, Inc. being paid in full for this equipment. The warranty will not be honored until such payment is received by Sentex Systems, Inc.

Copyright © 2002  
All Rights Reserved

This document is protected by copyright and may not be copied or adapted without prior written consent of Sentex Systems, Inc. This document contains the information proprietary to Sentex and such information may not be distributed without the prior written consent of Sentex. The software and firmware included in the Sentex Horizon system as they relate to this documentation are also protected by copyright and contain information proprietary to Sentex.

Sentex Systems  
Chatsworth, CA

Visit us at [www.sentexsystems.com](http://www.sentexsystems.com)

# CABINET DIMENSIONS

<u>TYPE OF SYSTEM</u>		<u>HEIGHT</u>	<u>WIDTH</u>	<u>DEPTH</u>
Horizon "H" System	Surface Mount	8.89"	13.08"	4.25" (top)
	Flush Mount Back Box	9.20"	13.31"	3.06"
	Flush Mount Bezel	10.46"	14.58"	
Horizon "M" Systems	Surface Mount	9.64"	13.47"	2.21"

## WIRE CHART

**PLEASE NOTE:** If the wires you are pulling for this installation are going to be run through an indoor, weather-proof location, it is acceptable to use unshielded cable. If the wires are going to be run through an outdoor location, we recommend that you use shielded cable. Recommendations for both types of cable are provided where needed.

### Cabling to the Main Processor Board

### Type of Wire

### Recommendations

From the power transformer or power supply  
120 VAC outlet

2 conductor cable

See chart below:

<b>DC POWER WIRE SIZE</b>	<b>DISTANCE</b>	<b>AC POWER WIRE SIZE</b>
18 AWG	30' and under	16 AWG
18 AWG	30'-75'	12 AWG
14 AWG	75'-150'	10 AWG
12 AWG	150'-250'	-----
10 AWG	250'-500'	-----

**PLEASE NOTE:** If you are using the larger sizes of cable (i.e., 12 awg or 10 awg), you may experience problems inserting the wires into the terminal block. If you encounter this problem, you can connect a 16-18 awg wire (with the use of a wire nut) to each end of the power cable, as long as the smaller gage wire is under 12 inches in length.

From the door strike or the door strike  
power supply

2 conductor cable

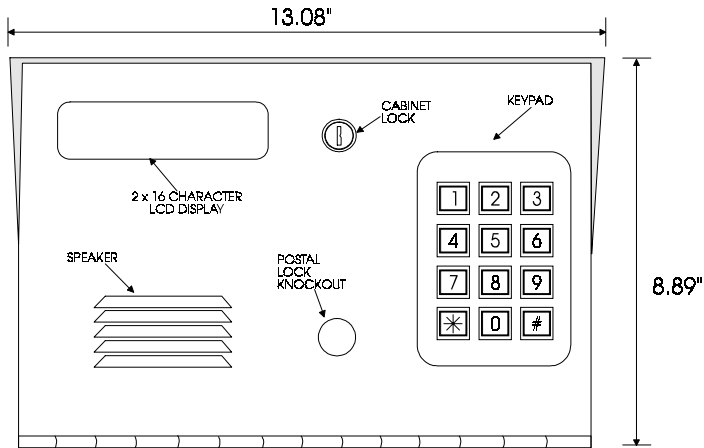
See specifications for  
the device you are  
installing.

From the telephone company jack

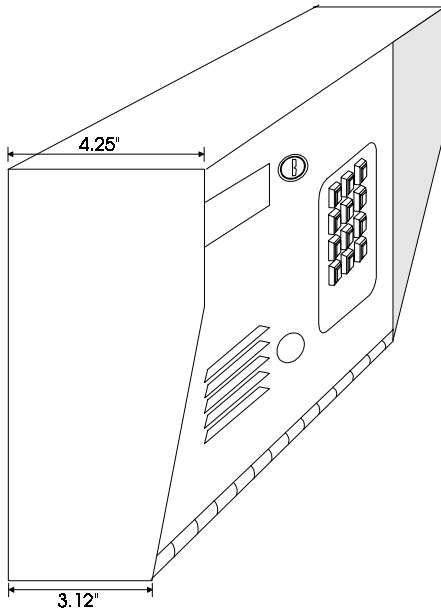
2 conductor  
18 to 24 awg cable

Shielded-Belden #9501  
Unshielded-Belden #8740

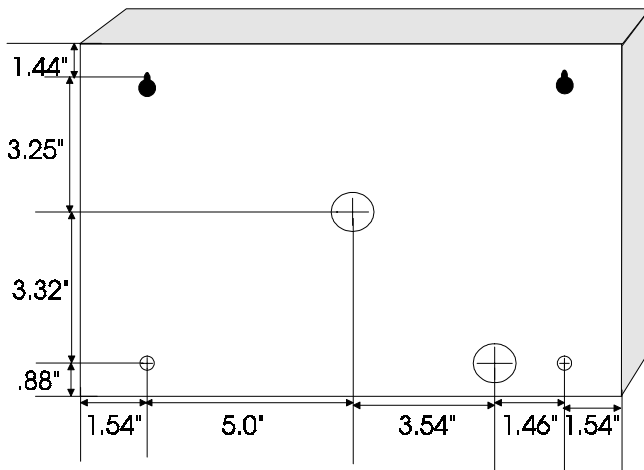
# DIMENSIONAL DRAWING OF THE HORIZON "H" SURFACE MOUNT SYSTEM



FRONT VIEW



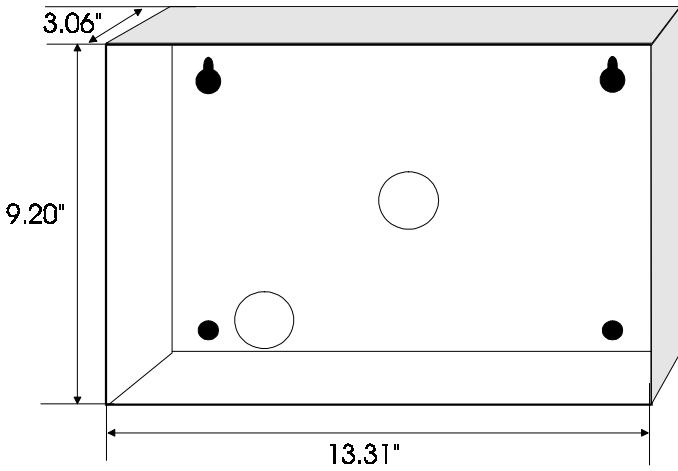
SIDE VIEW



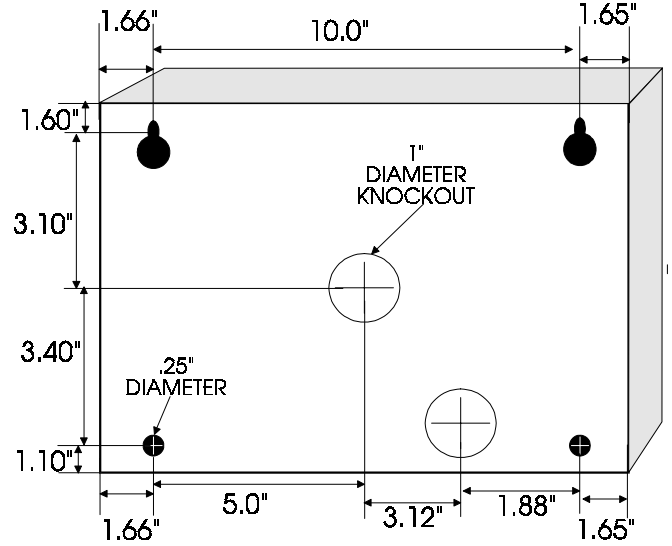
REAR VIEW

This line drawing is intended for dimensional reference purposes only and is not intended to be an actual drawing of the Horizon "H" system itself.

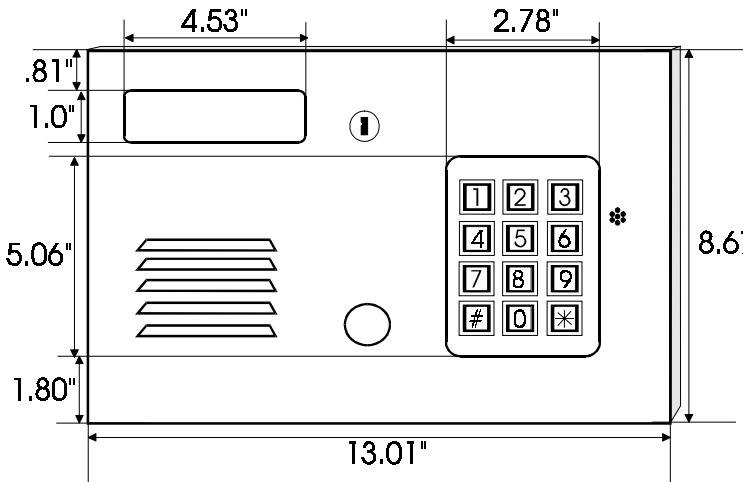
# DIMENSIONAL DRAWING OF THE HORIZON "H" FLUSH MOUNT SYSTEM



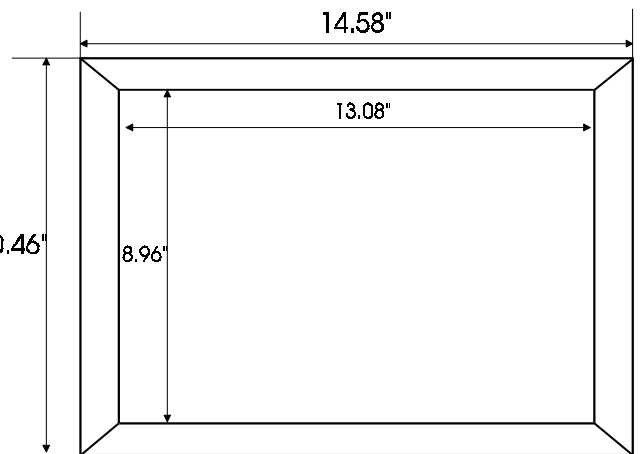
FLUSH MOUNT BOX  
(FRONT VIEW)



FLUSH MOUNT BOX  
(REAR VIEW)



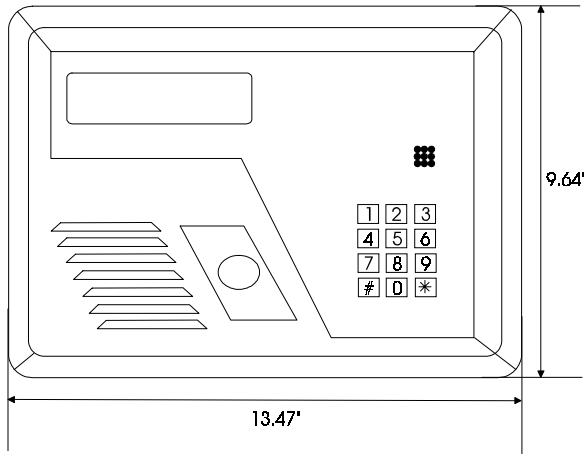
FRONT PANEL



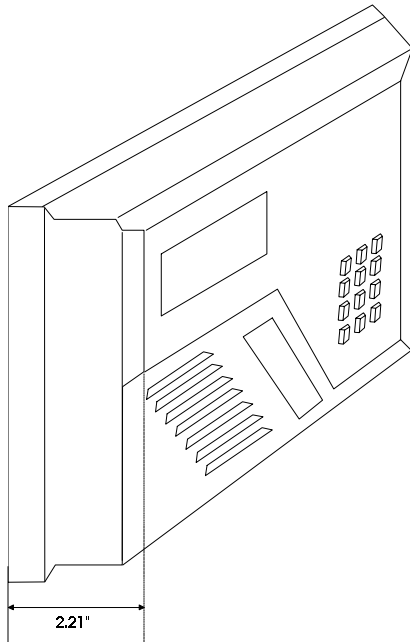
FRONT PANEL BEZEL

This line drawing is intended for dimensional reference purposes only and is not intended to be an actual drawing of the Horizon "H" Flush Mount system itself.

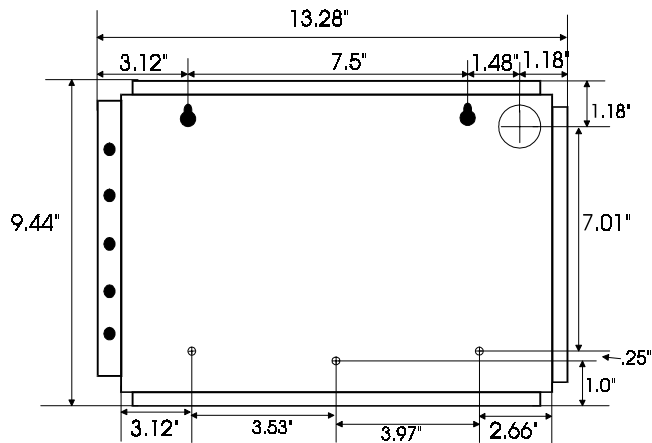
# DIMENSIONAL DRAWING OF THE HORIZON "M" SYSTEM



FRONT VIEW



SIDE VIEW

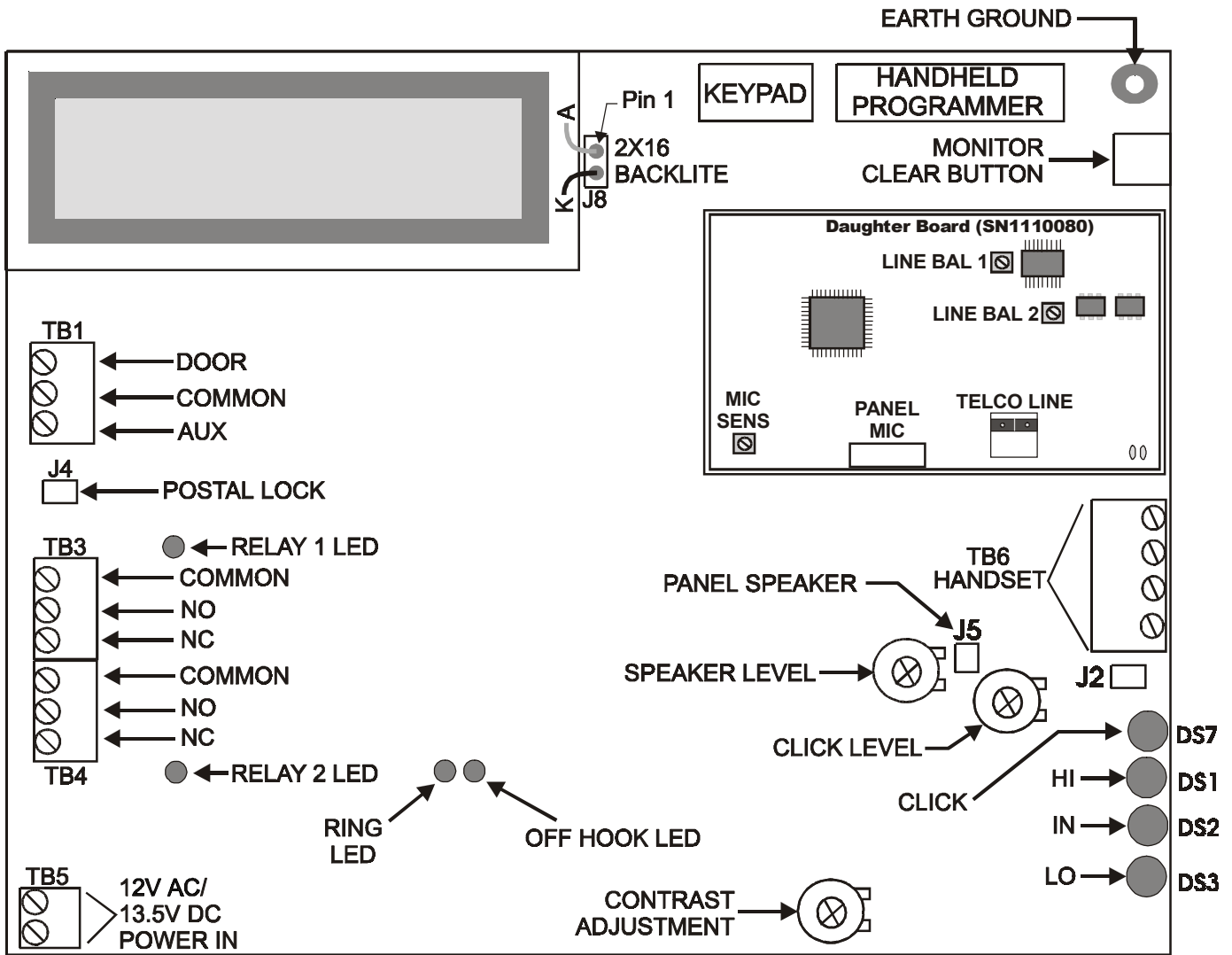


REAR VIEW

This line drawing is intended for dimensional reference purposes only and is not intended to be an actual drawing of the Horizon "M" system itself.

# ILLUSTRATION OF THE MAIN PROCESSOR BOARD

## GUIDE TO CONNECTIONS, ADJUSTMENTS, AND INDICATORS



1567F1