



# 6500 VEHICULAR SWING GATE OPERATOR



**easy access**  
case design



**breakaway**  
hub prevents gearbox damage



**simple**  
manual release



**steel frame**  
belt driven

- Split polyurethane housing allows easy access without having to remove the gate arm!
- Easy to adjust electronic magnetic limits eliminate old style mechanical switches that can wear out, break or fail
- Unique breakaway hub design prevents gear box damage if the gate is struck
- Steel frame for strength and durability
- Belt driven gear box for quiet operation
- Easy to use manual release system
- Advanced microprocessor control board features programming switches to set the mode of operation required and has ports for DKS plug-in loop detectors
- Easy bi-parting (dual) gate system connection from one circuit board
- 5-year limited warranty

FEATURES

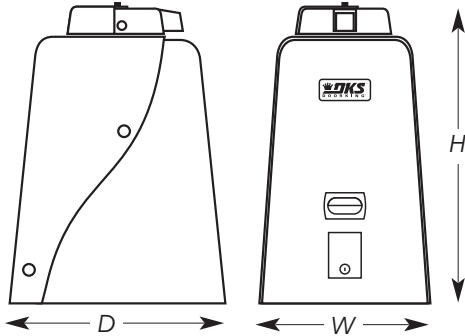
ACCESS CONTROL SOLUTIONS





# 6500 VEHICULAR SWING GATE OPERATOR

The DKS 6500 swing gate operator is designed for residential, commercial and industrial applications for both single and dual-leaf gates. The unique design of this operator allows for easy access to the electronics and mechanical areas of the operator without ever having to remove the gate arm. This simplifies installation and maintenance. The electronic magnetic limits will never wear out or break and they are easily adjusted. The solid steel frame and belt driven gear box make this operator one of the quietest vehicular gate operators on the market today.



**6500 1/2 & 1 HP**  
 18.375" W x 31.675" H x 23.25" D  
 (466.7 mm W x 804.5 mm H x 590.5 mm D)

## 6500 1/2 HP Specs

Class of operation	Max Gate Length *	Max Gate Weight *	HP	Power	Convenience Open Package
I, II, III, IV	18 Ft (5.48 m)	700 Lbs. (317.5 kg)	1/2HP 60 cycles/hr continuous duty	115 VAC, 60 Hz, 5.4A 208/230 VAC, 60 Hz, 2.7A** 460 VAC, 60 Hz, 1.4A**	Optional †

## 6500 1 HP Specs

Class of operation	Max Gate Length *	Max Gate Weight *	HP	Power	Convenience Open Package
I, II, III, IV	22 Ft (6.7 m)	800 Lbs. (362.8 kg)	1HP 60 cycles/hr continuous duty	115 VAC, 60 Hz, 9.7A 208/230 VAC, 60 Hz, 4.9A** 460 VAC, 60 Hz, 2.5A**	Optional †

\* Assumes gate to be in good condition and swinging in a level plane.  
 When combined with convenience open option, 1/2HP max weight is 500 Lbs., and 600 Lbs. with 1HP.  
 \*\* These operators use a step-down transformer to achieve 115 VAC operating voltage.  
 † Optional factory installed DC powered drive system provides an automatic method to open a gate when primary (AC) power fails.

## General Specs

<p><b>Mechanical</b>            Primary Reduction: Pulley / belt driving a worm gear running in a continuous oil bath</p> <p>Speed: Rotates gate 90° in approximately 12-14 seconds</p> <p>Frame: Steel frame plated for corrosion resistance</p> <p>Arm: Articulating arms to allow mechanical slow start / slow stop function.</p> <p>Mounting: Pad mount</p>	<p><b>Advanced Features</b>            Adjustable electronic magnetic limits            Auto-close timer (1-23 seconds)            Gate overlap feature for bi-parting (dual) gate operation            Simple connection for secondary operator in bi-parting gate systems            Built-in On / Off switch            Built-in alarm reset switch            Selectable shadow / reverse loop function            Magnetic lock power            Ports for plug-in open and reverse loop detectors. DKS plug-in detectors only            Three 115 VAC convenience outlets for accessory transformers            Gate Tracker reporting output provides operator data to access control system (DKS systems with card access only)            Split polyurethane housing simplifies installation and maintenance. No need to remove the gate arm            Unique breakaway hub protects the gear box if the gate is rammed</p>	<p><b>Operating Temp</b>            10°F to 115°F            -12°C to 46°C            Heater kit recommended for colder environments</p> <p><b>Shipping Weight</b>            Approximately 175-225 Lbs (79.1-101.8 kg)            Depending on model and options selected</p> <p><b>Warranty</b>            5-year limited warranty</p>
---	--	--

Distributed by:

**DOORKING®, INC.**  
 120 Glasgow Avenue, Inglewood, California 90301 U.S.A. Tel: 310-645-0023 FAX: 310-641-1586 www.doorking.com  
 © 2008 All Rights Reserved. Product specifications may change without notice. Rev. 1/08

